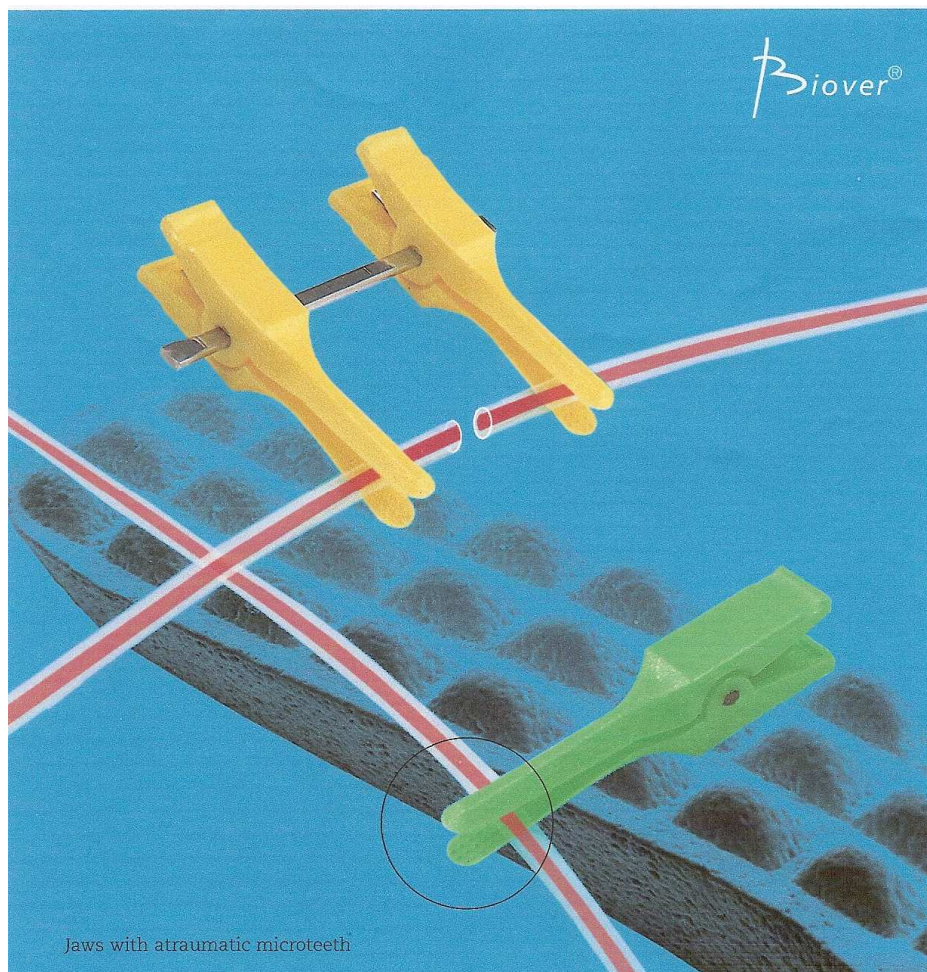


BIOVER

DISPOSABLE VESSEL CLAMP



BIOVER® AG

Müliweg 2, 6052 Hergiswil / Switzerland
Tel. +41 41 630 00 22, Fax +41 41 630 00 53
e-mail: biover@biover.ch
homepage: www.biover.ch

DISPOSABLE MICROVASCULAR CLAMPS

The BIOVER® microvascular clamp are safe and insure a precise clamping pressure. They has been developed under the proper guidance of many international well-known surgeons.

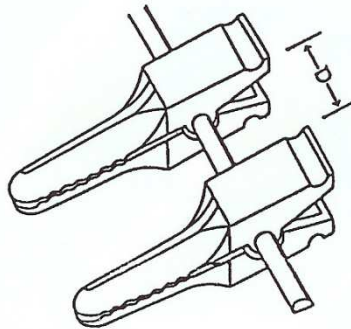
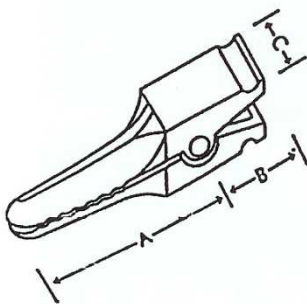
- Highest quality made of Polycarbonate
- Single use only
- Gamma sterilized
- Non-reflecting
- Three different sizes are available for arteries and four sizes for veins:

- for arteries:

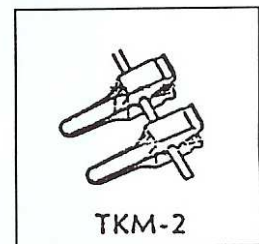
- Ø less than 1 mm TKS
- Ø 1 to 2 mm TKM
- Ø 2 to 4 mm TKL

- for veins:

- Ø 0.2 to 1 mm TKFV
- Ø less than 1 mm TKS
- Ø 1 to 2 mm TKMV
- Ø 2 mm TKLV



Actual Size



Ordering Information

Size/Cat.- No.	A	B	C	D	Weight	Clipping power
Arteries (yellow clamp)						
TKS-1	10.0 mm	4.5 mm	2.5 mm		0.06 g	40 g
TKS-2				~ 7.5 mm	0.13 g	
TKM-1	11.5 mm	5.5 mm	3.0 mm		0.12 g	60 g
TKM-2				~12.5 mm	0.25 g	
TKL-1	15.0 mm	6.5 mm	3.5 mm		0.25 g	120 g
TKL-2				~15.0 mm	0.50 g	
Veins (green clamps)						
TKFV-1	7.0 mm	4.0 mm	2.3 mm		0.03 g	15 g
TKFV-2				~8.0 mm	0.06 g	
TKSV-1	10.0 mm	4.5 mm	2.5 mm		0.06 g	20 g
TKSV-2				~7.5 mm	0.13 g	
TKMV-1	11.5 mm	5.5 mm	3.0 mm		0.12 g	30 g
TKMV-2				~12.5 mm	0.25 g	
TKLV-1	15.0 mm	6.5 mm	3.5 mm		0.25 g	40 g
TKLV-2				~15.0 mm	0.50 g	

Conditions:

- The clamps are sterile, ready for use.
- Delivery: 10 single or 10 double clamps per box.
- Each box easily identifiable by colour (each type a different color).

Warning:

Do not use the BIOVER vascular clamps for the central blood circulation and not for the central nervous system.