

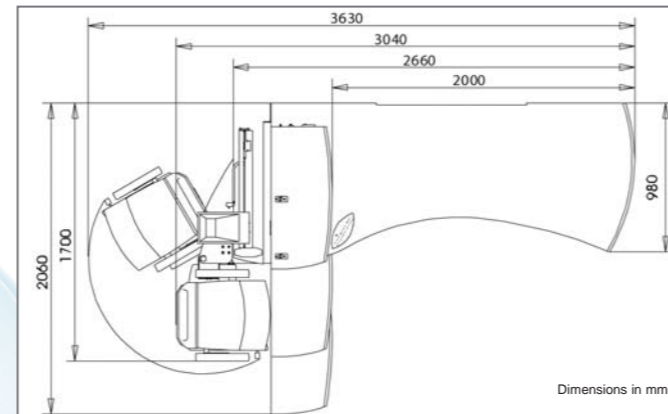
In every case made to measure

It is not a matter of size: The HS-2010 is also deliverable with a small, space-saving counter top. The unprecedented refraction and examination features are fully available also with this equipment version. We are looking forward to realizing your individual requirements on request. Challenge us!

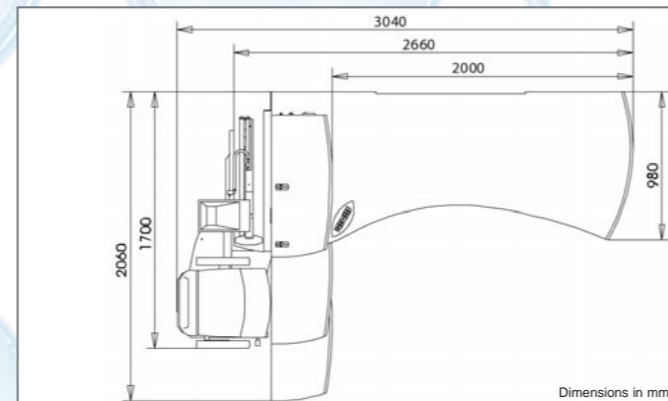
Dimensions



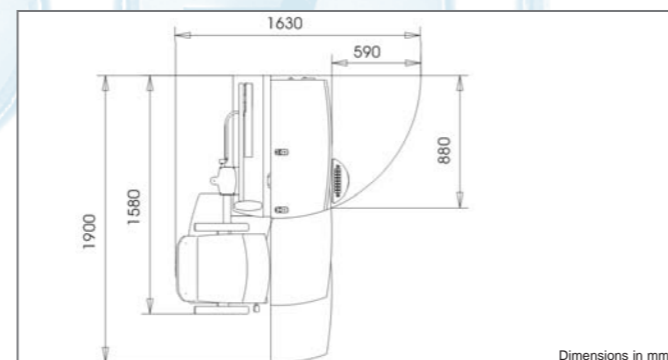
HS-2010 B plus
(Height-adjustable)



HS-2010 with desk



HS-2010 with desk top



Technical data

Connection voltage: 230 V / 50/60 Hz
Connection load: 1500 VA

REFRACTION AND EXAMINATION UNIT HS-2010

In new perfection
Discover the second generation of the HS 2010



Decisive optimization of technique and design

Make good things even better: HAAG-STREIT has reinvented the ophthalmologist's work place with the enhanced examination unit HS-2010. The visionary invention is followed by the evolutionary redevelopment with innovative software programmed control electronics (PLC). New application techniques together with new material properties were turned into practicable solutions. The next chapter of the success story is written.

Discover the second generation of the HAAG STREIT refraction and examination units!

High labor requirements do not accept compromises

An accommodating working environment: Responsible work requires a disturbance-free surrounding. For this reason, the body of the device together with the working desk is height-adjustable by means of the innovative system of four lifting columns and, thus, adjustable to the individual requirements of doctor and patient. Such a kind of ergonomics provides harmony.

VISUTRON 900+
 Unique insertion into the phoropter bracket. The phoropter is extended by motor and adjusted for the subjective near refraction individually and according to the patient's requirements.

Patient's chair
 Multiple setting options, electric adjustment of height, swivelling arm rests, optionally stepless inclinable back rest (180°), rotating upper part – for a maximum individualization.

PATIENT'S CHAIR CAN BE TURNED BEHIND THE UNIT

Illuminated control panel
 The keys of the control panel are indirectly illuminated – a brief look is sufficient to start the next function. Thanks to this intuitive control panel the user can entirely concentrate on his patient.

INDIVIDUAL HEIGHT OF COMPLETE WORKING PLACE

©Designed by Ronald Schickling

The details count!

Always think further: The whole does not work without the little detail. Only with all elements harmonizing with each other and fitting together, the full potential can unfold. For the new HS-2010 that is to say: work gets considerably easier all along the line!



Storage for hand-held instruments, patient's spectacles and trial lens set

Optimized workflow due to ergonomic placement and sophisticated design.



Container

Four drawers with open trays – space for everything that should be within reach for an ophthalmologic examination. With the height adjustable desk the standard container can not be placed under the desk top. (Option: Container special height)



Wireless wall connection box

Bluetooth control of all external functions as room light, electrically controlled curtains or fixation lamps.

More details?

Under www.haag-streit.com you will find further information regarding our products and our product philosophy.



Placement of wheel chair



HAAG-STREIT has also redeveloped the HS-2010 version for disabled people. The wheel chair patient can easily be positioned by turning the patient's chair with only a few movements. The system of four lifting columns makes it possible to adjust the height of the working place individually. Stepless and exactly to the mm.



Quality is promised

Precise fittings due to laser fabrication; thoroughly ergonomic design; organized exterior with hidden cable channels, durable surfaces (resistant to disinfectants).

Valuable synthetic surfaces

Additionally to the common surfaces (varnish and wood) we have enlarged our range with the optional synthetic surfaces of the material LG HI-MACS® – Natural Acrylic Stone. Apart from a particular elegance and value LG HI-MACS® impresses with a high wear resistance. Smooth surfaces and seamless junctions ensure an optimal hygiene.

